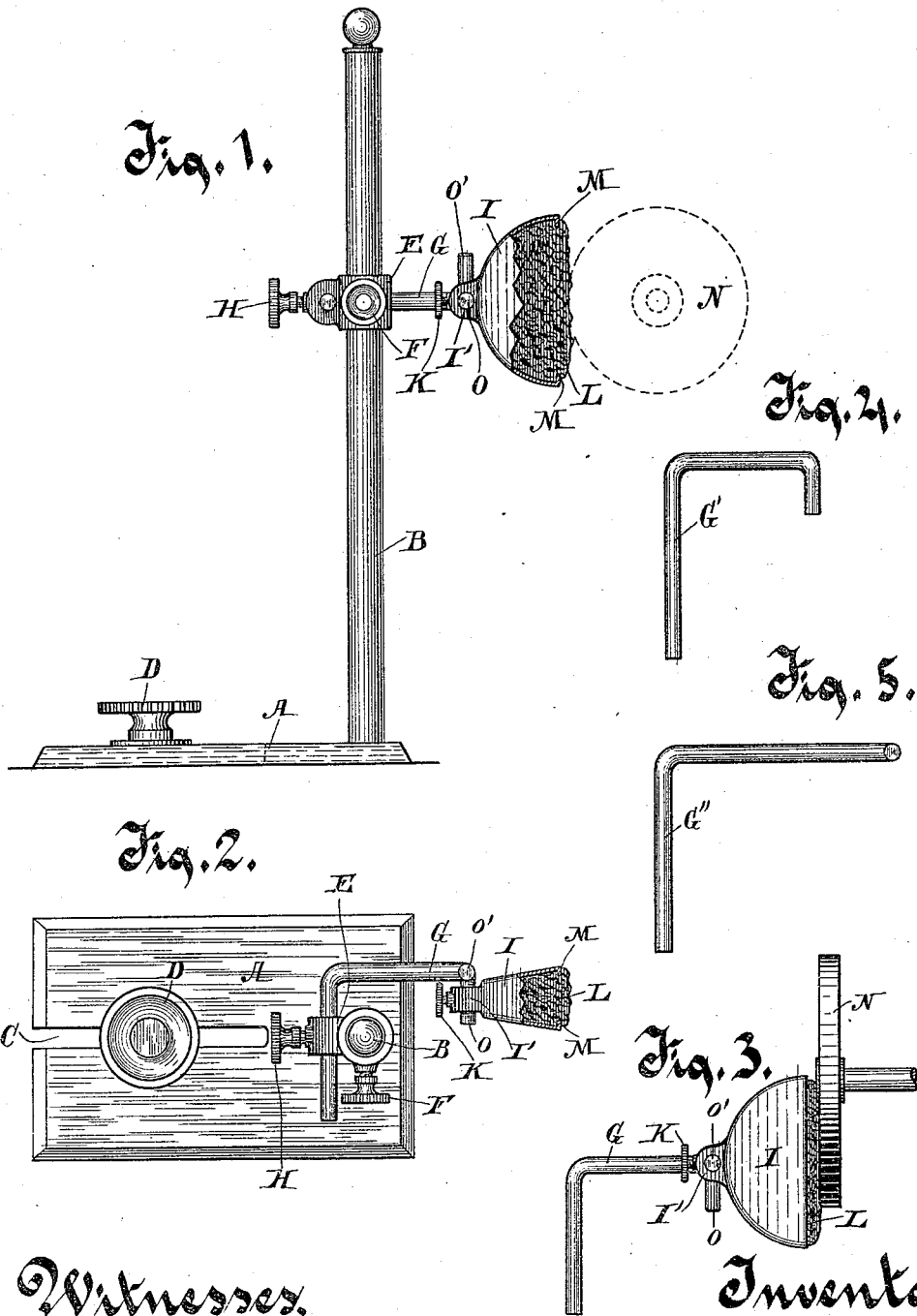


(No Model.)

E. C. GOELDNER.
DENTAL GRINDSTONE WETTER AND WIPER.

No. 443,572.

Patented Dec. 30, 1890.



Witnesses:
W. H. Keener,
Anna Faust.

Inventor:
Engelb. Goeldner
Erwin Peredich
 Attorneys.

UNITED STATES PATENT OFFICE.

EUGENE C. GOELDNER, OF WATERTOWN, WISCONSIN.

DENTAL GRINDSTONE WETTER AND WIPER.

SPECIFICATION forming part of Letters Patent No. 443,572, dated December 30, 1890.

Application filed February 3, 1890. Serial No. 339,000. (No model.)

To all whom it may concern:

Be it known that I, EUGENE C. GOELDNER, of Watertown, in the county of Jefferson and State of Wisconsin, have invented a new and useful Dental Grindstone Wetter and Wiper; and I do hereby declare the following to be a full, clear, and exact description of said invention, reference being had to the accompanying drawings, and to the letters of reference marked thereon, which form a part of this specification.

In dental work small grindstones, one-half inch and more in diameter, are used, which are attached severally removably to a lathe when used, and are rotated at a high speed, and when such grindstone is kept wet by the dropping of water thereon, as has been the practice heretofore, the stone is apt to become loaded with abraded particles of grit, forming a mud, which clogs the stone and which is often thrown off by the centrifugal force of the rotating stone to the great annoyance and disfigurement of the operator.

The object of my invention is to provide a device for wetting and wiping the rotating stone, whereby the stone is kept properly wet for the best results and at the same time to wipe from the stone any excess of water and the abraded grit.

In the drawings, Figure 1 is an elevation of my complete device, illustrating how it is used to wet and wipe the edge of a dental grindstone, a portion being broken away to show interior construction. Fig. 2 is a top plan view of the same device, a part being broken away to show interior construction. Fig. 3 is a top view of the sponge-cup and its supporting-arm located and arranged to wet and wipe the side of a dental grindstone. Figs. 4 and 5 are two modified forms of arms for supporting the sponge-cup.

A is the base, and B the standard, on which other parts of my device are supported. The base is preferably provided with a slot C, through which a thumb-screw D passes, which screw turns into a supporting-table for holding the device firmly in position. The base is adjustable in position by means of the slot C and thumb-screw D, turning therethrough. A head-block E moves freely up and down on the standard B, and is secured thereto ad-

justably by the thumb-screw F, turning through the block against the standard B. A bent arm G passes removably through an aperture therefor in the head-block and is secured adjustably therein by the thumb-screw H. On the free end of the arm G a sponge-cup I is supported removably and adjustably. This sponge-cup is conveniently supported on the arm G by means of a base I', provided with an aperture through which the free end of the arm G passes and to which the cup is secured adjustably by means of the thumb-screw K, which turns through the base of the cup against the arm and holds the cup in position thereon. A sponge L is placed in the cup I and is conveniently and preferably retained therein by means of an inwardly-turned flange M around the edge of the cup. The cup is formed with walls which receive therein and surround the sponge, except on one side where the sponge-surface is exposed and is arranged to bear against the grindstone. The cup I is preferably made elongated in one direction, and being supported on the arm G with its greatest length in a vertical position, as shown in Figs. 1 and 2, is adapted to wet and wipe the edge of a grindstone N in the manner shown in Fig. 1. The sponge is of sufficient size to fill the cup and project a little beyond its edge, and, being kept properly wet, will supply the grindstone with sufficient moisture and at the same time will wipe therefrom all accumulations of grit or foreign matter.

For wetting and wiping the side of the grindstone the sponge-cup is turned in a horizontal direction, as shown in Fig. 3. For supporting the cup on an arm G in the vertical and also in the horizontal positions I preferably construct the arm with two prongs O O', at right angles to each other, on either of which the cup can be supported, one being adapted to support it with its greatest length in a vertical position and the other with its greatest length in a horizontal position, as shown in Figs. 1 and 3, respectively. The arm G may be inserted in the head-block E either from the right or left side, as desired, to accommodate right-handed or left-handed operators.

Instead of an arm G, having two prongs O

and O', individual arms G' or G'', having prongs corresponding, respectively, to the prongs O and O', may be used.

The many positions in which the sponge-cup may be arranged by means of the devices for vertical, lateral, and curvilinear adjustment adapt the device not only for wetting and wiping circular flat stones or wheels, but also for wetting and wiping the hemi-spherical, cone-shaped, and other convex and concave stones and wheels of the many forms used by dentists for shaping teeth and other purposes. The cup may also be readily removed from its support for cleansing the sponge, when desired.

What I claim as new, and desire to secure by Letters Patent, is—

1. The combination, with a removable and adjustable standard B, of a head-block E, movable vertically and revolubly on the standard B and secured adjustably thereto by a set-screw F, a bent arm G, inserted at right angles to the principal axis and movable laterally so as to oscillate vertically in

the head-block E and secured adjustably thereto by a set-screw H, and a sponge-cup I, supported movably, laterally, and revolubly on the bent arm G and secured adjustably thereto by a set-screw K, which sponge-cup is provided with a flange M for retaining a sponge L therein, substantially as described.

2. In a dental grindstone wetter and wiper, the combination, with a head-block adjustable vertically on a supporting-standard, of a removable arm G, supported adjustably in the head-block, which arm is provided with two prongs O and O', a sponge-cup provided with a base having an aperture whereby it is adapted to be placed on the prong O or O', and a thumb-screw K, whereby the cup is secured adjustably to the arm G, substantially as described.

In testimony whereof I affix my signature in presence of two witnesses.

EUGENE C. GOELDNER.

Witnesses:

C. T. BENEDICT,
ANNA FAUST.